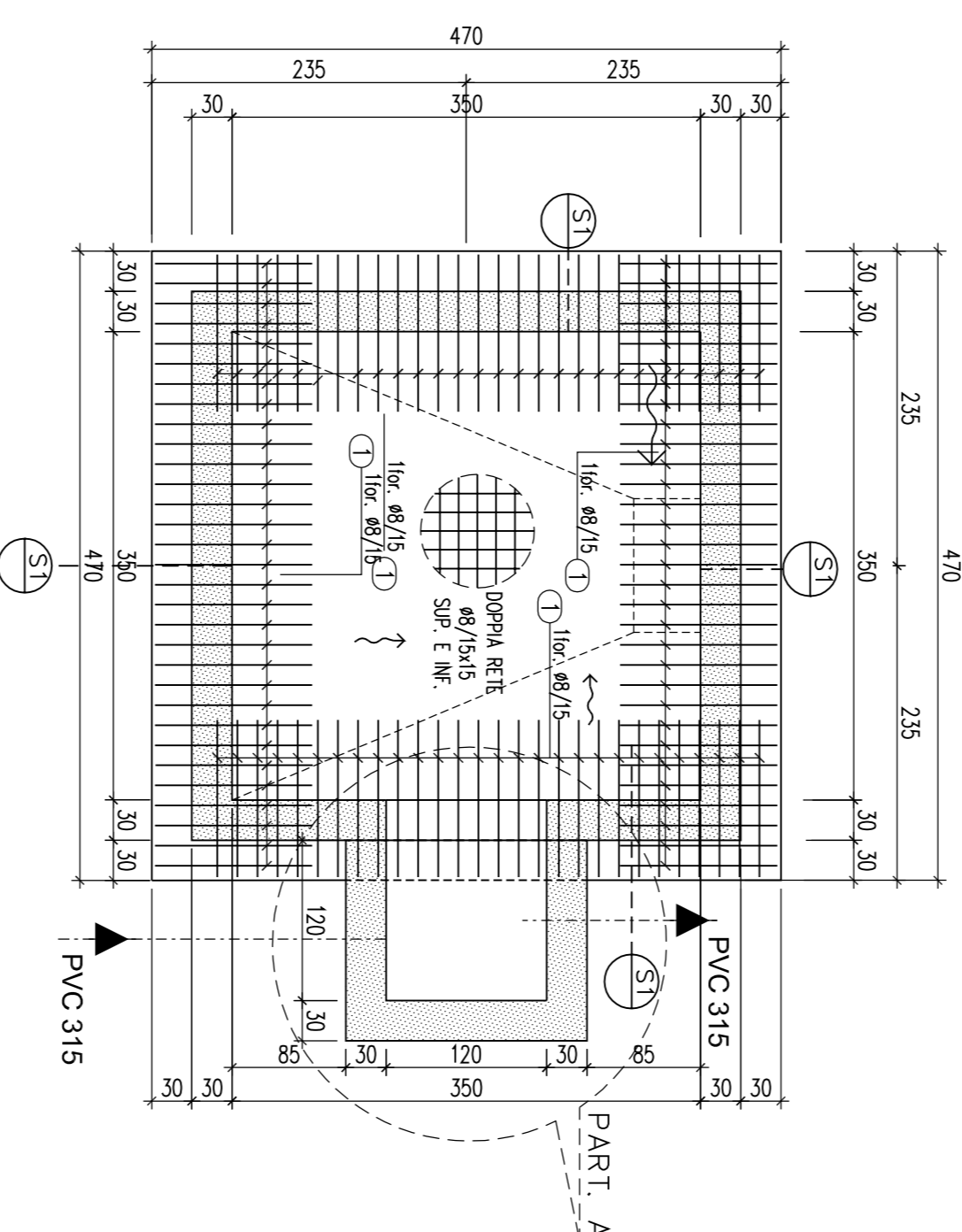
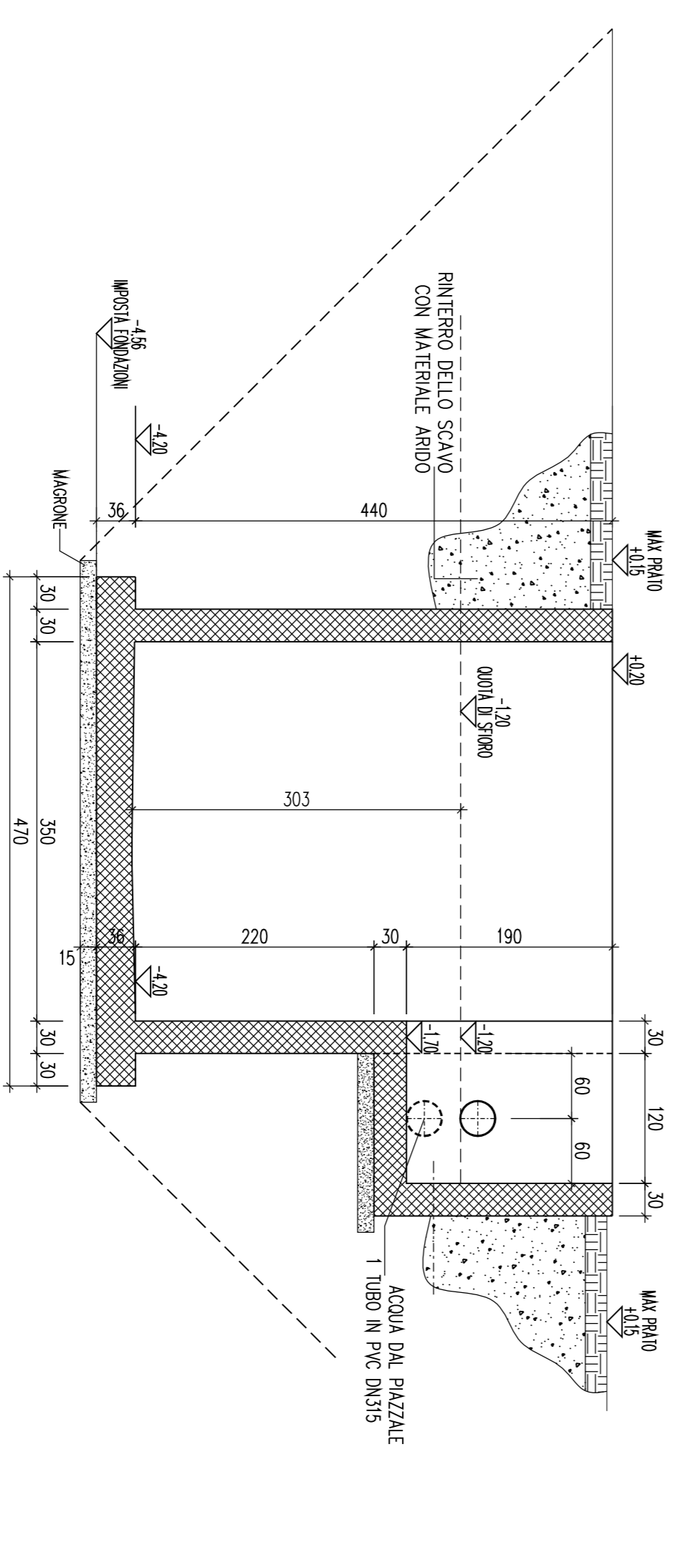


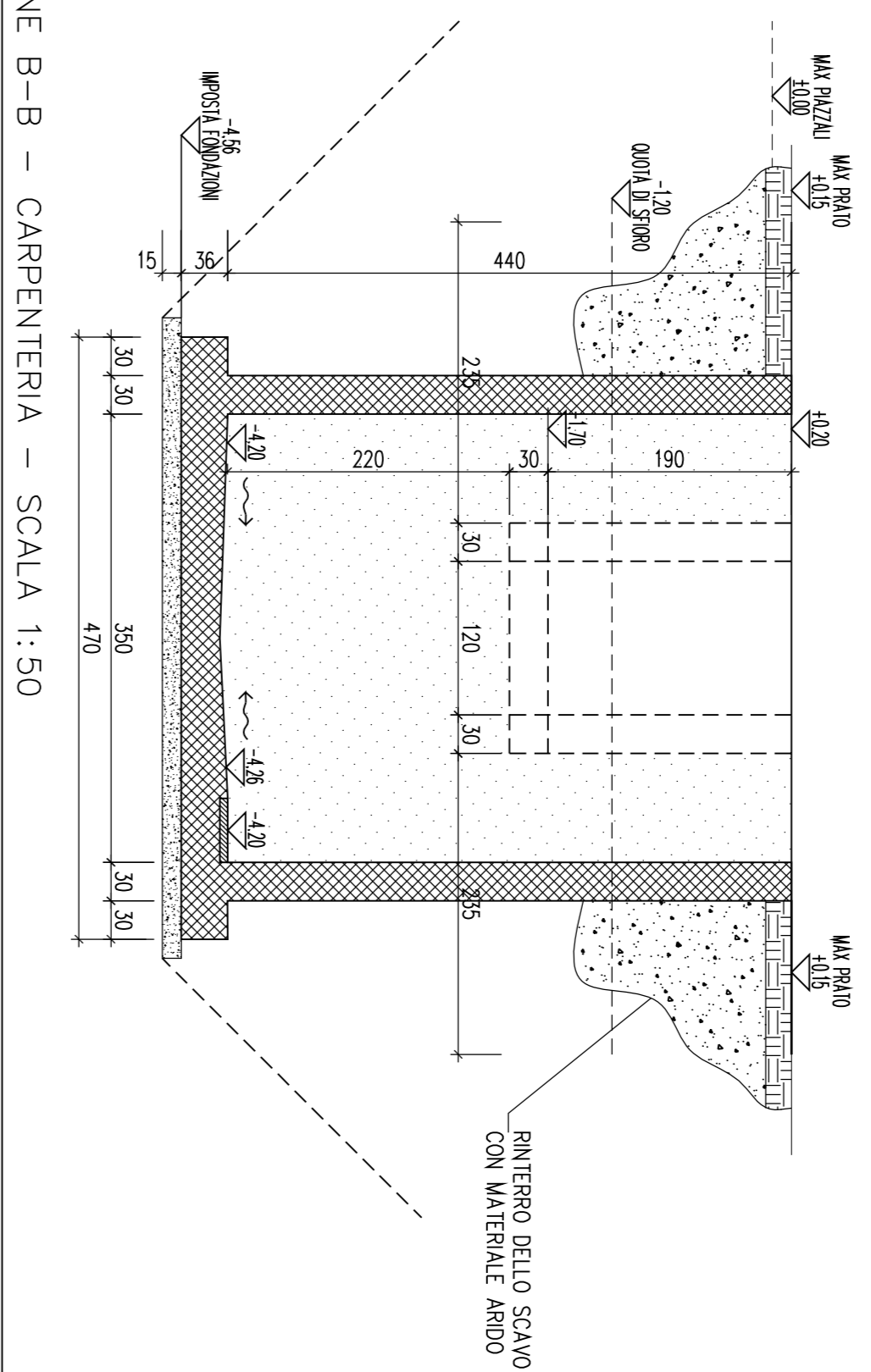
1 Pianta Fondazioni Vasca - Carpentaria - Scala 1:50



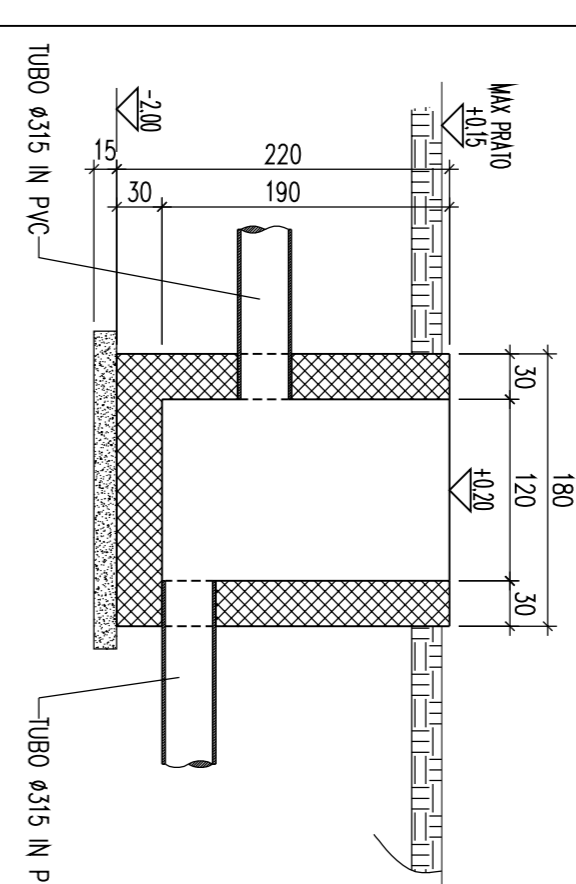
2 Pianta Fondazioni Vasca - Armature - Scala 1:50



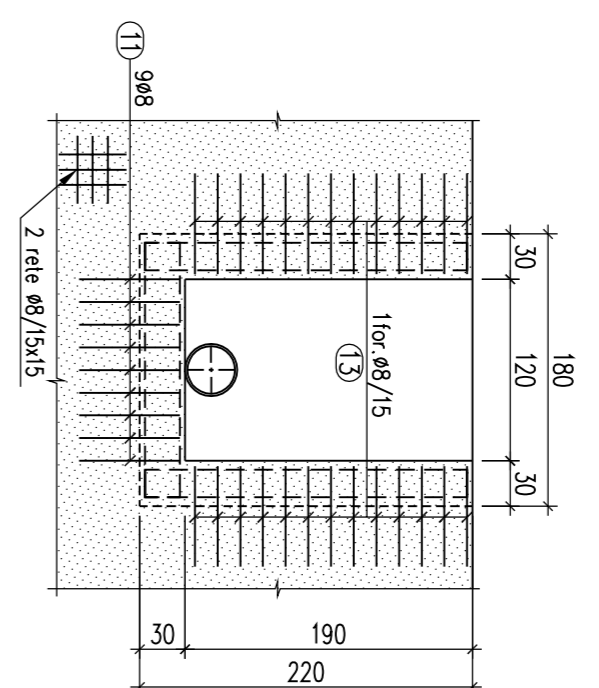
3 Sezione A-A - Carpentaria - Scala 1:50



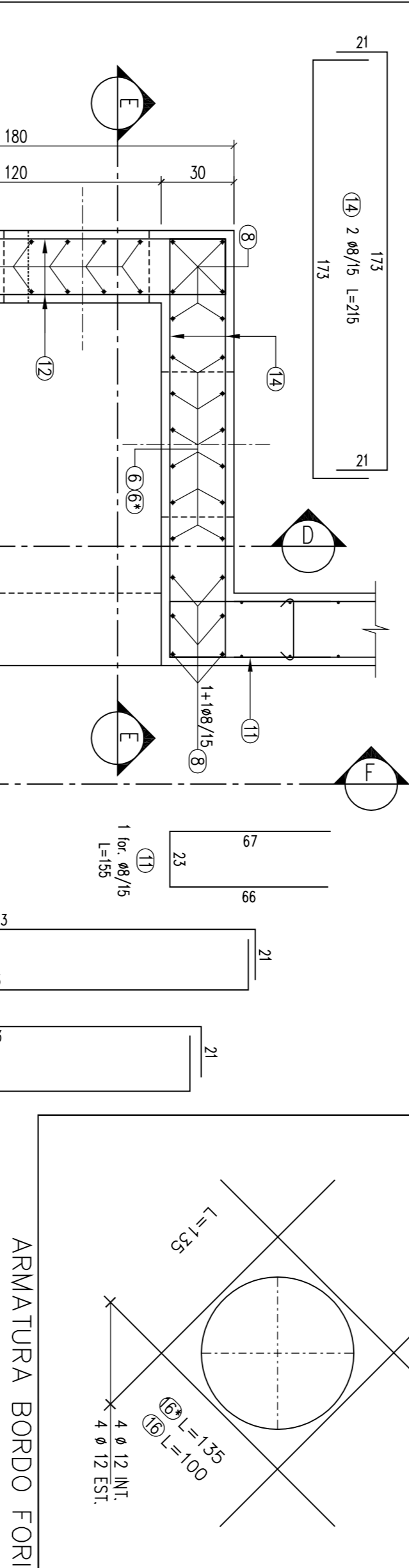
4 Sezione B-B - Carpentaria - Scala 1:50



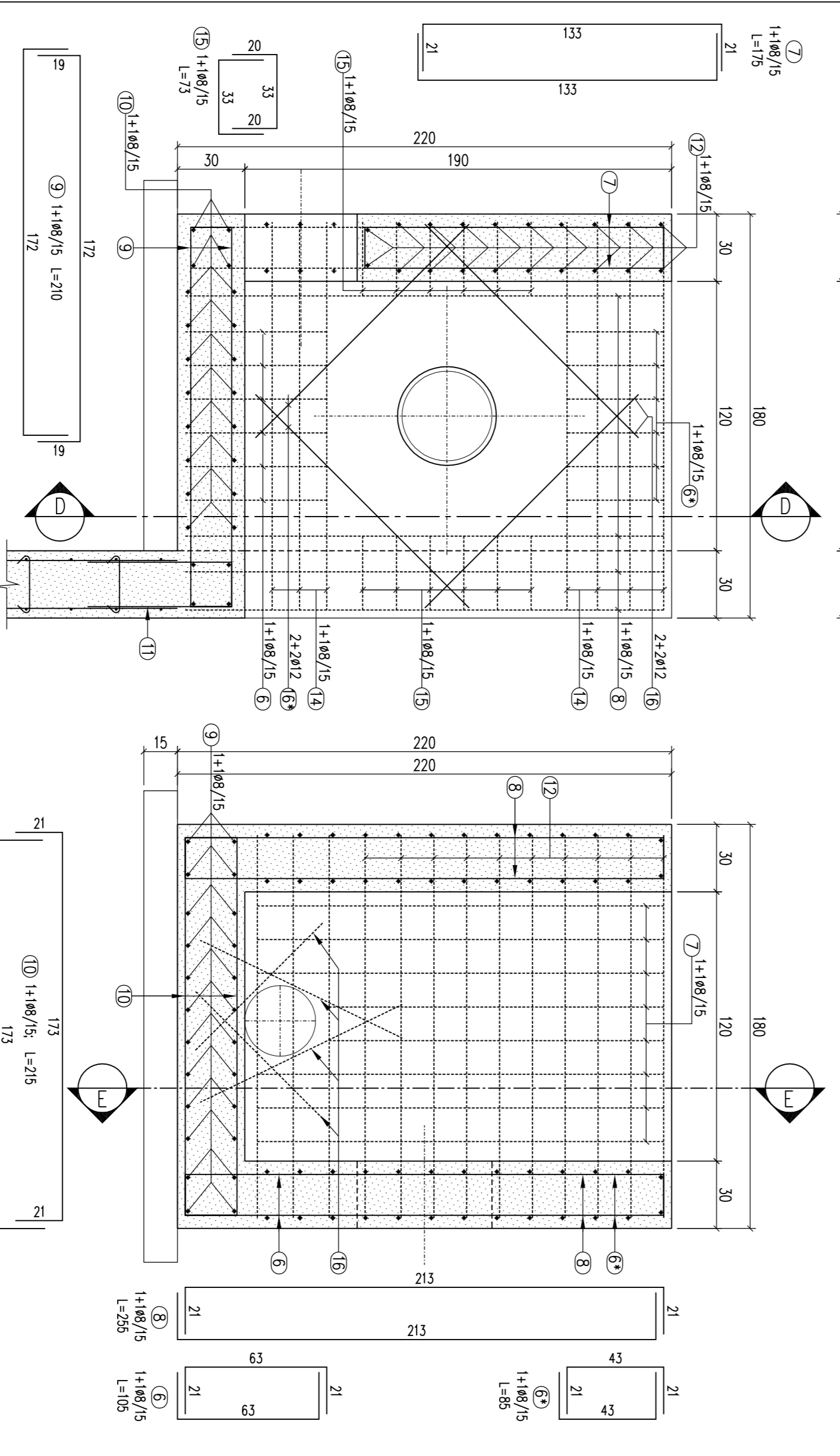
6 Sezione C-C - Carpentaria - SC. 1:50



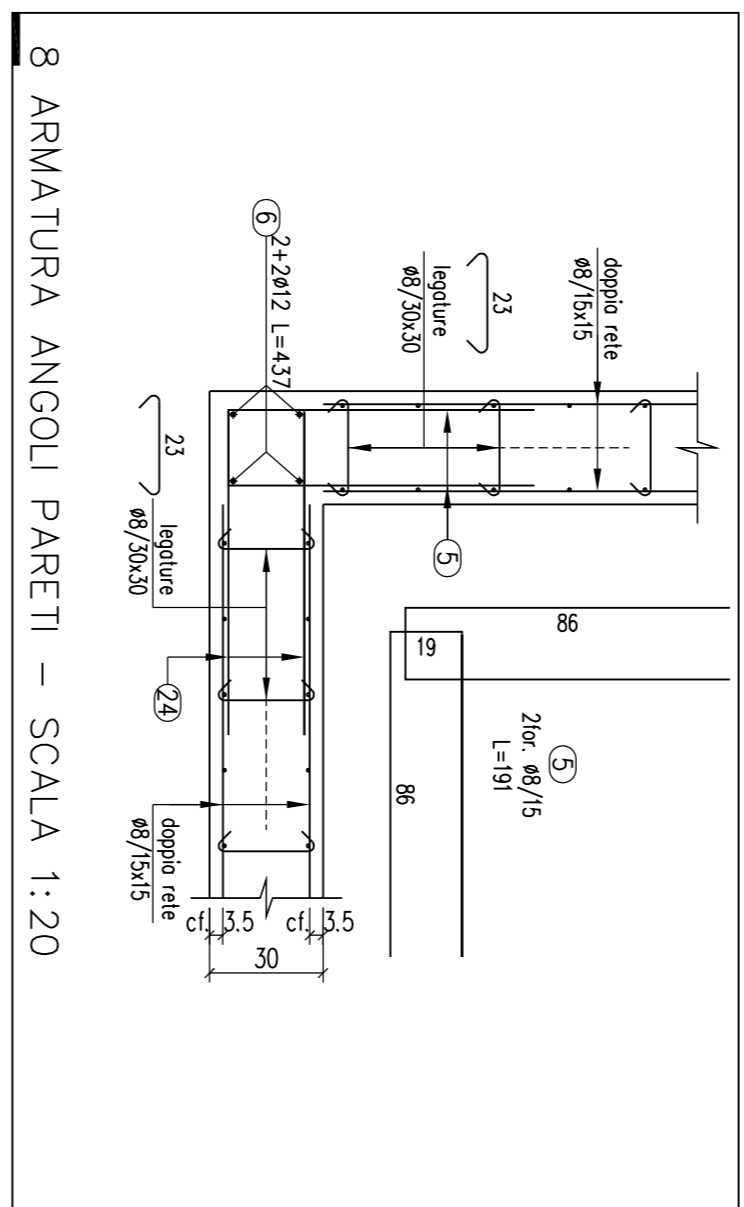
7 Vista F-F - Armature - SC. 1:50



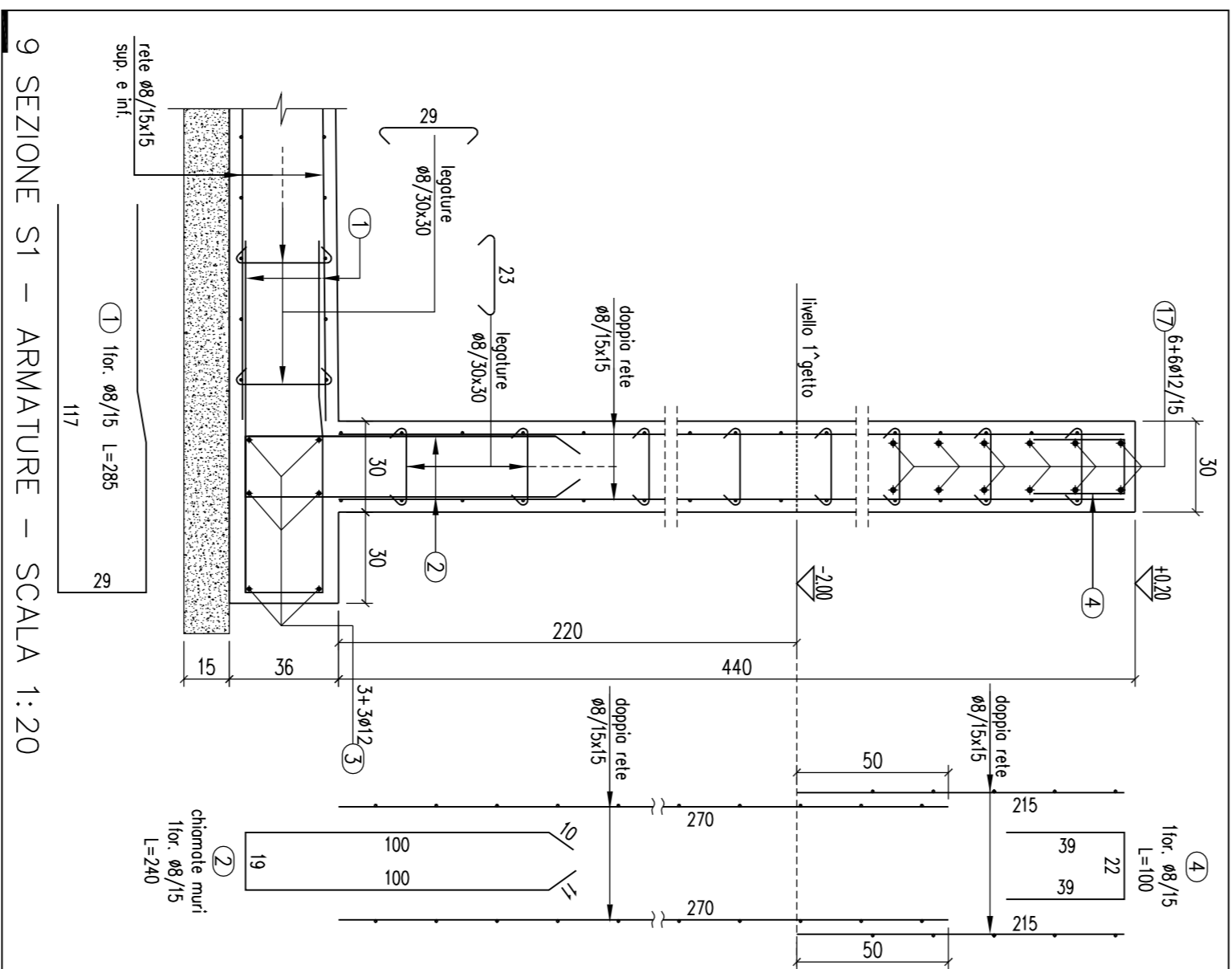
8 Armatura Bordo Fori



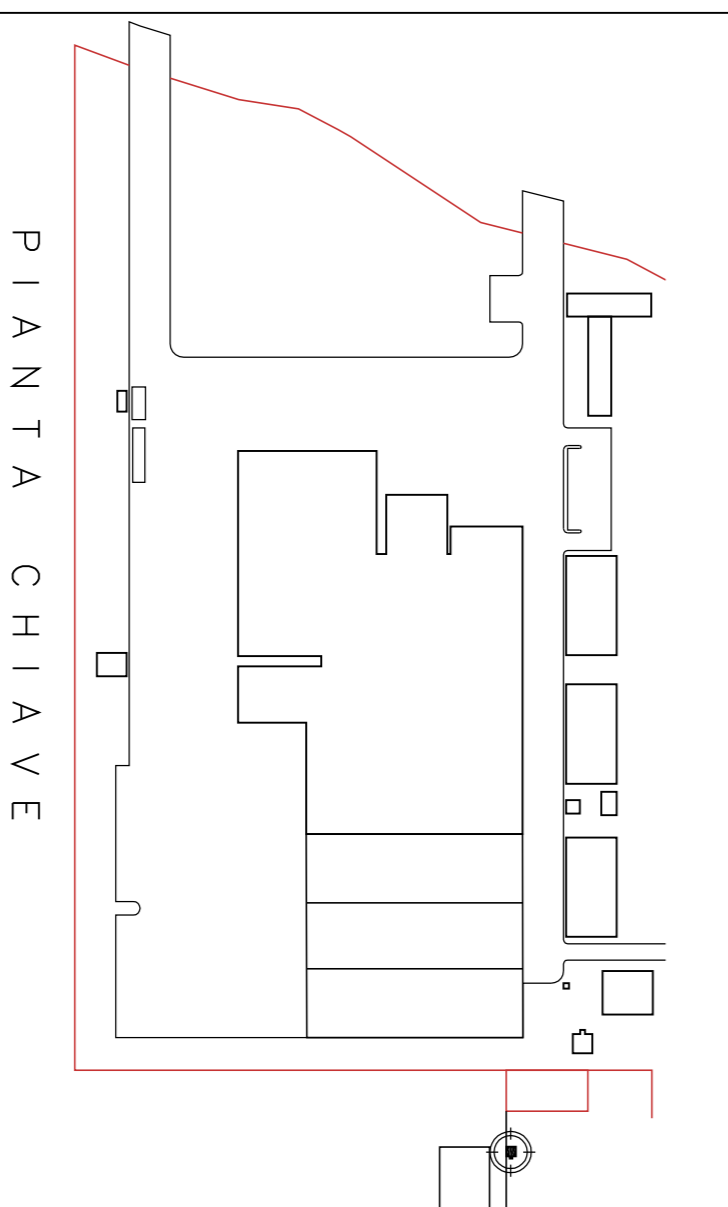
5 Particolare A - Scala 1:20



8 Armatura Angoli Pareti - Scala 1:20



9 Sezione S1 - Armature - Scala 1:20



PIANTA CHIAVE

CARATTERISTICHE DEI MATERIALI			
Classe di esposizione	FORMA	PROFILI	ESECUZIONI
C-25/30	XC1	XC1	XC1
C-25/30	XC2	XC2	XC2
C-25/30	XC3	XC3	XC3
C-25/30	XC4	XC4	XC4
C-25/30	XC5	XC5	XC5
C-25/30	XC6	XC6	XC6
C-25/30	XC7	XC7	XC7
C-25/30	XC8	XC8	XC8
C-25/30	XC9	XC9	XC9
C-25/30	XC10	XC10	XC10
C-25/30	XC11	XC11	XC11
C-25/30	XC12	XC12	XC12
C-25/30	XC13	XC13	XC13
C-25/30	XC14	XC14	XC14
C-25/30	XC15	XC15	XC15
C-25/30	XC16	XC16	XC16
C-25/30	XC17	XC17	XC17
C-25/30	XC18	XC18	XC18
C-25/30	XC19	XC19	XC19
C-25/30	XC20	XC20	XC20
C-25/30	XC21	XC21	XC21
C-25/30	XC22	XC22	XC22
C-25/30	XC23	XC23	XC23
C-25/30	XC24	XC24	XC24
C-25/30	XC25	XC25	XC25
C-25/30	XC26	XC26	XC26
C-25/30	XC27	XC27	XC27
C-25/30	XC28	XC28	XC28
C-25/30	XC29	XC29	XC29
C-25/30	XC30	XC30	XC30
C-25/30	XC31	XC31	XC31
C-25/30	XC32	XC32	XC32
C-25/30	XC33	XC33	XC33
C-25/30	XC34	XC34	XC34
C-25/30	XC35	XC35	XC35
C-25/30	XC36	XC36	XC36
C-25/30	XC37	XC37	XC37
C-25/30	XC38	XC38	XC38
C-25/30	XC39	XC39	XC39
C-25/30	XC40	XC40	XC40
C-25/30	XC41	XC41	XC41
C-25/30	XC42	XC42	XC42
C-25/30	XC43	XC43	XC43
C-25/30	XC44	XC44	XC44
C-25/30	XC45	XC45	XC45
C-25/30	XC46	XC46	XC46
C-25/30	XC47	XC47	XC47
C-25/30	XC48	XC48	XC48
C-25/30	XC49	XC49	XC49
C-25/30	XC50	XC50	XC50
C-25/30	XC51	XC51	XC51
C-25/30	XC52	XC52	XC52
C-25/30	XC53	XC53	XC53
C-25/30	XC54	XC54	XC54
C-25/30	XC55	XC55	XC55
C-25/30	XC56	XC56	XC56
C-25/30	XC57	XC57	XC57
C-25/30	XC58	XC58	XC58
C-25/30	XC59	XC59	XC59
C-25/30	XC60	XC60	XC60
C-25/30	XC61	XC61	XC61
C-25/30	XC62	XC62	XC62
C-25/30	XC63	XC63	XC63
C-25/30	XC64	XC64	XC64
C-25/30	XC65	XC65	XC65
C-25/30	XC66	XC66	XC66
C-25/30	XC67	XC67	XC67
C-25/30	XC68	XC68	XC68
C-25/30	XC69	XC69	XC69
C-25/30	XC70	XC70	XC70
C-25/30	XC71	XC71	XC71
C-25/30	XC72	XC72	XC72
C-25/30	XC73	XC73	XC73
C-25/30	XC74	XC74	XC74
C-25/30	XC75	XC75	XC75
C-25/30	XC76	XC76	XC76
C-25/30	XC77	XC77	XC77
C-25/30	XC78	XC78	XC78
C-25/30	XC79	XC79	XC79
C-25/30	XC80	XC80	XC80
C-25/30	XC81	XC81	XC81
C-25/30	XC82	XC82	XC82
C-25/30	XC83	XC83	XC83
C-25/30	XC84	XC84	XC84
C-25/30	XC85	XC85	XC85
C-25/30	XC86	XC86	XC86
C-25/30	XC87	XC87	XC87
C-25/30	XC88	XC88	XC88
C-25/30	XC89	XC89	XC89
C-25/30	XC90	XC90	XC90
C-25/30	XC91	XC91	XC91
C-25/30	XC92	XC92	XC92
C-25/30	XC93	XC93	XC93
C-25/30	XC94	XC94	XC94
C-25/30	XC95	XC95	XC95
C-25/30	XC96	XC96	XC96
C-25/30	XC97	XC97	XC97
C-25/30	XC98	XC98	XC98
C-25/30	XC99	XC99	XC99
C-25/30	XC100	XC100	XC100

CONSORZIO INDUSTRIALE PROVINCIALE ORISTANESE

REGIONE AUTONOMA DELLA SARDEGNA
Assessorato della Difesa dell'Ambiente

IMPIANTO DI TRATTAMENTO RIFIUTI SOLIDI URBANI E VALORIZZAZIONE RACCOLTE DIFFERENZIATE A SERVIZIO DELL'AMBITO TERRITORIALE OTTIMALE DELLA PROVINCIA DI ORISTANO
TERZO LOTTO FUNZIONALE - TERZO STRALCIO

REALIZZAZIONE DELLE AREE DI STOCCAGGIO E DEGLI EDIFICI DESTINATI ALLA RACCHIUSURA E CONNESSIONAMENTO DEI COMPONENTI MATURATI

F' SUB STRALCIO FUNZIONALE: REALIZZAZIONE DELLE AREE E DEGLI EDIFICI STRUTTURE IN CEMENTO ARMATO

ELABORATO: ALLEGATO:
ARMATURA METALLICA VASCA DI ACCUMULO IDRICO ACQUE METEORICHE DEL PIAZZALE ESTERNO
COP. ES3935930030002
COP. ES3935930030002
SCALA: 1:20

2.20

IL PROGETTISTA: *Ing. Francesco Biondi*
IL RESPONSABILE DEL PROCEDIMENTO: *Ing. Francesco Biondi*

PROGETTO	1	2	3	4	5	6	7	8	9	10	11	12	13	14	15	16	17	18	19	20	21	22	23	24	25	26	27	28	29	30	31	32	33	34	35	36	37	38	39	40	41	42	43	44	45	46	47	48	49	50	51	52	53	54	55	56	57	58	59	60	61	62	63	64	65	66	67	68	69	70	71	72	73	74	75	76	77	78	79	80	81	82	83	84	85	86	87	88	89	90	91	92	93	94	95	96	97	98	99	100
----------	---	---	---	---	---	---	---	---	---	----	----	----	----	----	----	----	----	----	----	----	----	----	----	----	----	----	----	----	----	----	----	----	----	----	----	----	----	----	----	----	----	----	----	----	----	----	----	----	----	----	----	----	----	----	----	----	----	----	----	----	----	----	----	----	----	----	----	----	----	----	----	----	----	----	----	----	----	----	----	----	----	----	----	----	----	----	----	----	----	----	----	----	----	----	----	----	----	----	----	-----